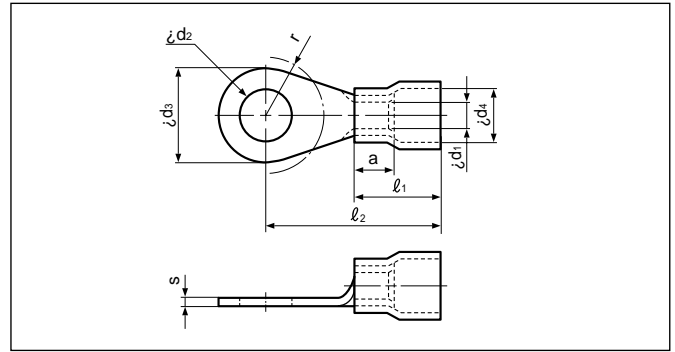
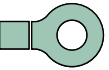


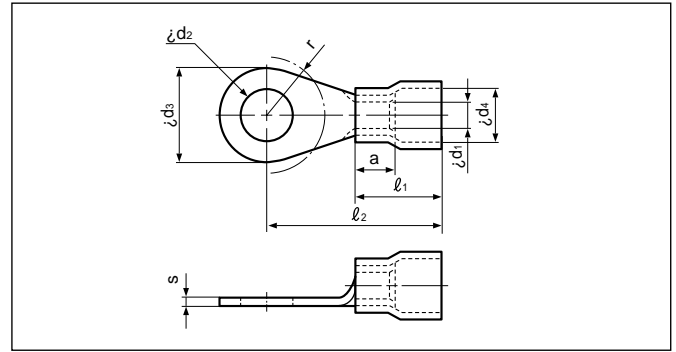
RING TONGUE TERMINAL Vinyl-insulated DIN 46237



Applicable Wire mm ² (AWG#)	Stud Size Metric	Part No.	Nominal Size DIN46237	Dimensions mm (in.)									Color	Tool No.	Qty/box
				ϕd_2	ϕd_3	r	ℓ_1	ℓ_2	a	ϕd_1	ϕd_4	s			
0.25 to 1.5 (22 to 16)	2	FVGS2-1		2.2 (.087)	6.0 (.236)	4.5 (.177)	10.0 (.394)	16.0 (.630)	5.0 (.196)	1.6 (.063)	3.4 (.134)	0.8 (.031)	Red	JCH-1112	1,000
	3	FVGS3-1	3-1	3.2 (.126)	6.0 (.236)	4.5 (.177)		16.0 (.630)							
	3.5	FVGS3.5-1	3.5-1	3.7 (.146)	6.0 (.236)	4.5 (.177)		16.0 (.630)							
	4	FVGS4M-1		4.3 (.169)	7.0 (.276)	5.5 (.217)		16.0 (.630)							
	4	FVGS4-1	4-1	4.3 (.169)	8.0 (.315)	6.0 (.236)		17.0 (.669)							
	5	FVGS5S-1		5.3 (.209)	8.0 (.315)	6.0 (.236)		17.0 (.669)							
	5	FVGS5-1	5-1	5.3 (.209)	10.0 (.394)	6.5 (.256)		18.0 (.709)							
	6	FVGS6S-1		6.5 (.256)	10.0 (.394)	6.5 (.256)		18.0 (.709)							
	6	FVGS6-1		6.5 (.256)	12.0 (.472)	10.0 (.394)	22.0 (.866)								
	8	FVGS8-1		8.4 (.331)	12.0 (.472)	10.0 (.394)	22.0 (.866)								
>1 to 2.6 (16 to 14)	3	FVGS3-2.5	3-2.5	3.2 (.126)	6.0 (.236)	4.5 (.177)	11.0 (.433)	17.0 (.669)	5.0 (.196)	2.3 (.091)	4.3 (.169)	0.8 (.031)	Blue	JCH-1112 JCH-1213	1,000
	3.5	FVGS3.5-2.5	3.5-2.5	3.7 (.146)	6.0 (.236)	4.5 (.177)		17.0 (.669)							
	3.5	FVGS3.5L-2.5		3.7 (.146)	6.8 (.268)	4.5 (.177)		17.0 (.669)							
	4	FVGS4S-2.5		4.3 (.169)	6.8 (.268)	4.5 (.177)		17.0 (.669)							
	4	FVGS4-2.5	4-2.5	4.3 (.169)	8.0 (.315)	6.0 (.236)		18.0 (.709)							
	5	FVGS5S-2.5		5.3 (.209)	8.0 (.315)	6.0 (.236)		18.0 (.709)							
	5	FVGS5-2.5	5-2.5	5.3 (.209)	10.0 (.394)	6.5 (.256)		20.0 (.787)							
	5	FVGS5M-2.5		5.3 (.209)	9.5 (.374)	6.5 (.256)		18.2 (.717)							
	6	FVGS6S-2.5		6.5 (.256)	10.0 (.394)	6.5 (.256)		20.0 (.787)							
	6	FVGS6-2.5	6-2.5	6.5 (.256)	11.0 (.433)	7.5 (.295)		22.0 (.866)							
	8	FVGS8-2.5	8-2.5	8.4 (.331)	14.0 (.551)	10.0 (.394)		23.0 (.906)							
	10	FVGS10-2.5		10.5 (.413)	18.0 (.709)	12.0 (.472)		26.0 (1.024)							
	12	FVGS12-2.5		13.0 (.512)	18.0 (.709)	12.0 (.472)		26.0 (1.024)							
16	FVGS16-2.5		17.0 (.669)	27.0(1.063)	16.0 (.630)	32.0 (1.260)									
>2.5 to 6 (12 to 10)	4	FVGS4-6	4-6	4.3 (.169)	8.0 (.315)	6.0 (.236)	12.0 (.472)	20.0 (.787)	6.0 (.236)	3.6 (.142)	6.4 (.252)	1.0 (.039)	Yellow	JCH-1213	500
	5	FVGS5-6	5-6	5.3 (.209)	10.0 (.394)	6.5 (.256)		21.0 (.827)							
	6	FVGS6-6	6-6	6.5 (.256)	11.0 (.433)	7.5 (.295)		21.0 (.827)							
	8	FVGS8-6	8-6	8.4 (.331)	14.0 (.551)	10.0 (.394)		25.0 (.984)							
	10	FVGS10-6	10-6	10.5 (.413)	18.0 (.709)	12.0 (.472)		27.0 (1.063)							
	12	FVGS12-6		13.0 (.512)	18.0 (.709)	12.0 (.472)		27.0 (1.063)							

Note:1) Contact J.S.T. Europe N.V., Belgium for the above tools.
 2) Delivery lead times may vary depending on the product. Contact JST for details.

RING TONGUE TERMINAL *Nylon-insulated DIN 46237*



Applicable Wire mm ² (AWG#)	Stud Size Metric	Part No.	Nominal Size DIN46237	Dimensions mm (in.)										Color	Tool No.	Qty/box
				ϕd_2	ϕd_3	r	ℓ_1	ℓ_2	a	ϕd_1	ϕd_4	s				
0.1 to 0.5 (26 to 22)	2	FNGS2-0.5	2-0.5	2.2 (.087)	5.0 (.197)	5.0 (.197)	8.0 (.315)	13.8 (.543)	4.0 (.157)	1.0 (.039)	2.0 (.079)	0.5 (.020)	Yellow	JCH-9	2,000	
	3	FNGS3-0.5	3-0.5	3.2 (.126)	5.0 (.197)	5.0 (.197)		13.8 (.543)								
	4	FNGS4-0.5	4-0.5	4.3 (.169)	6.5 (.256)	6.0 (.236)		15.7 (.618)								
	5	FNGS5-0.5	5-0.5	5.3 (.209)	8.0 (.315)	6.5 (.256)		15.0 (.591)								
0.25 to 1.5 (22 to 16)	2	FNGS2-1		2.2 (.087)	6.0 (.236)	4.5 (.177)	10.0 (.394)	16.0 (.630)	5.0 (.197)	1.6 (.063)	3.4 (.134)	0.8 (.031)	Red	JCH-1112	1,000	
	2.6	FNGS2.5-1	2.6-1	2.7 (.106)	6.0 (.236)	4.5 (.177)		16.0 (.630)								
	3	FNGS3-1	3-1	3.2 (.126)	6.0 (.236)	4.5 (.177)		16.0 (.630)								
	3.5	FNGS3.5-1	3.5-1	3.7 (.146)	6.0 (.236)	4.5 (.177)		16.0 (.630)								
	4	FNGS4M-1		4.3 (.169)	7.0 (.276)	5.5 (.217)		16.0 (.630)								
	4	FNGS4-1	4-1	4.3 (.169)	8.0 (.315)	6.0 (.236)		17.0 (.669)								
	5	FNGS5S-1		5.3 (.209)	8.0 (.315)	6.0 (.236)		17.0 (.669)								
	5	FNGS5-1	5-1	5.3 (.209)	10.0 (.394)	6.5 (.256)		18.0 (.709)								
	6	FNGS6S-1		6.5 (.256)	10.0 (.394)	6.5 (.256)		18.0 (.709)								
	6	FNGS6-1		6.5 (.256)	12.0 (.472)	10.0 (.394)		22.0 (.866)								
>1.1 to 2.5 (16 to 14)	3	FNGS3-2.5	3-2.5	3.2 (.126)	6.0 (.236)	4.5 (.177)	11.0 (.433)	17.0 (.669)	5.0 (.197)	2.3 (.091)	4.4 (.173)	0.8 (.031)	Blue	JCH-1112 JCH-1213	1,000	
	3.5	FNGS3.5-2.5	3.5-2.5	3.7 (.146)	6.0 (.236)	4.5 (.177)		17.0 (.669)								
	3.5	FNGS3.5L-2.5		3.7 (.146)	6.8 (.268)	4.5 (.177)		17.0 (.669)								
	4	FNGS4S-2.5		4.3 (.169)	6.8 (.268)	4.5 (.177)		17.0 (.669)								
	4	FNGS4-2.5	4-2.5	4.3 (.169)	8.0 (.315)	6.0 (.236)		18.0 (.709)								
	5	FNGS5S-2.5		5.3 (.209)	8.0 (.315)	6.0 (.236)		18.0 (.709)								
	5	FNGS5-2.5	5-2.5	5.3 (.209)	10.0 (.394)	6.5 (.256)		20.0 (.787)								
	6	FNGS6S-2.5		6.5 (.256)	10.0 (.394)	6.5 (.256)		20.0 (.787)								
	6	FNGS6-2.5	6-2.5	6.5 (.256)	11.0 (.433)	7.5 (.295)		22.0 (.866)								
	8	FNGS8-2.5	8-2.5	8.4 (.331)	14.0 (.551)	10.0 (.394)		23.0 (.906)								
>2.5 to 6 (12 to 10)	10	FNGS10-2.5		10.5 (.413)	18.0 (.709)	12.0 (.472)	12.0 (.472)	26.0 (1.024)	6.0 (.236)	3.6 (.142)	6.4 (.252)	1.0 (.039)	Yellow	JCH-1213	500	
	12	FNGS12-2.5		13.0 (.512)	18.0 (.709)	12.0 (.472)		26.0 (1.024)								
	4	FNGS4-6	4-6	4.3 (.169)	8.0 (.315)	6.0 (.236)		20.0 (.787)								
	5	FNGS5-6	5-6	5.3 (.209)	10.0 (.394)	6.5 (.256)		21.0 (.827)								
>2.5 to 6 (12 to 10)	6	FNGS6-6	6-6	6.5 (.256)	11.0 (.433)	7.5 (.295)	12.0 (.472)	22.0 (.866)	6.0 (.236)	3.6 (.142)	6.4 (.252)	1.0 (.039)	Yellow	JCH-1213	500	
	8	FNGS8-6	8-6	8.4 (.331)	14.0 (.551)	10.0 (.394)		25.0 (.984)								
	10	FNGS10-6	10-6	10.5 (.413)	18.0 (.709)	12.0 (.472)		27.0 (1.063)								
	12	FNGS12-6		13.0 (.512)	18.0 (.709)	12.0 (.472)		27.0 (1.063)								

Note:1) Contact J.S.T. Europe N.V., Belgium for the above tools.
 2) Delivery lead times may vary depending on the product. Contact JST for details.